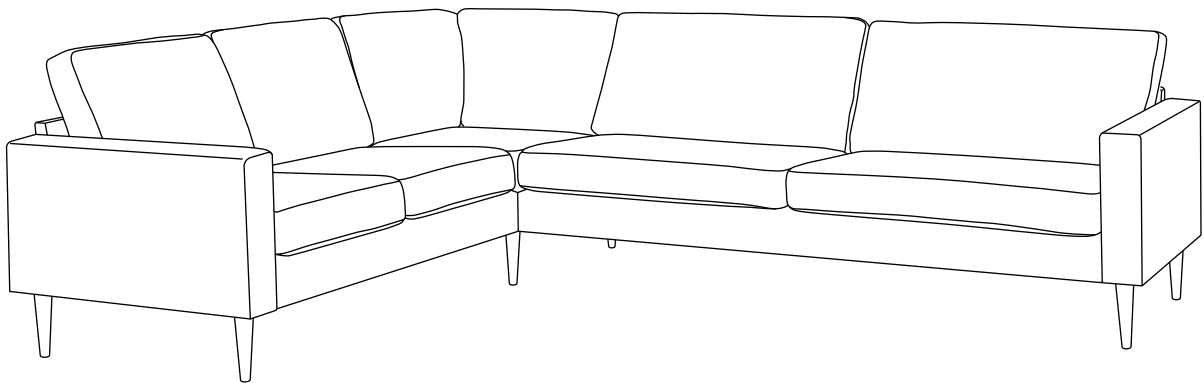
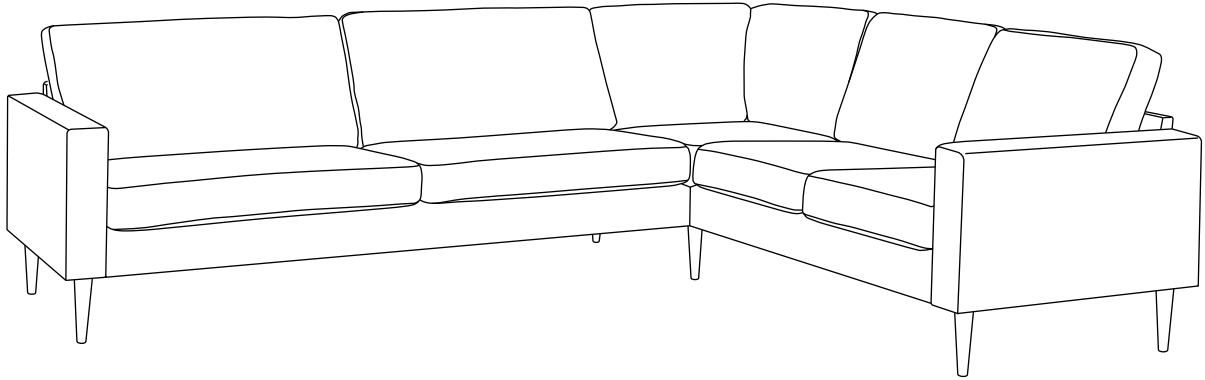


Assembling Instructions

Celin

1800 + C90 + 1200 // 1200 + C90 + 1800



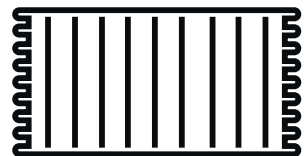
You need



0.5 hours



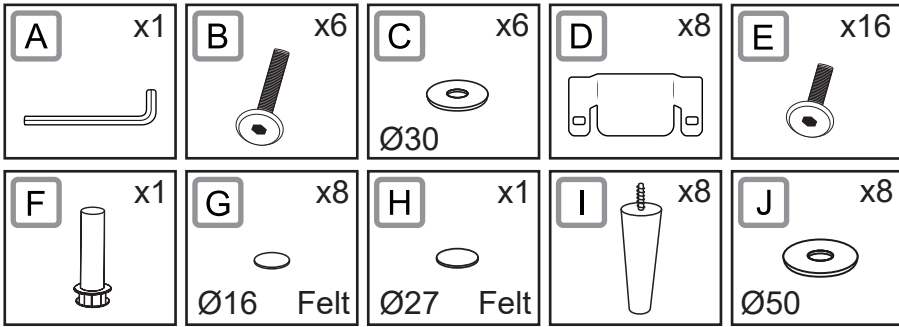
2 people



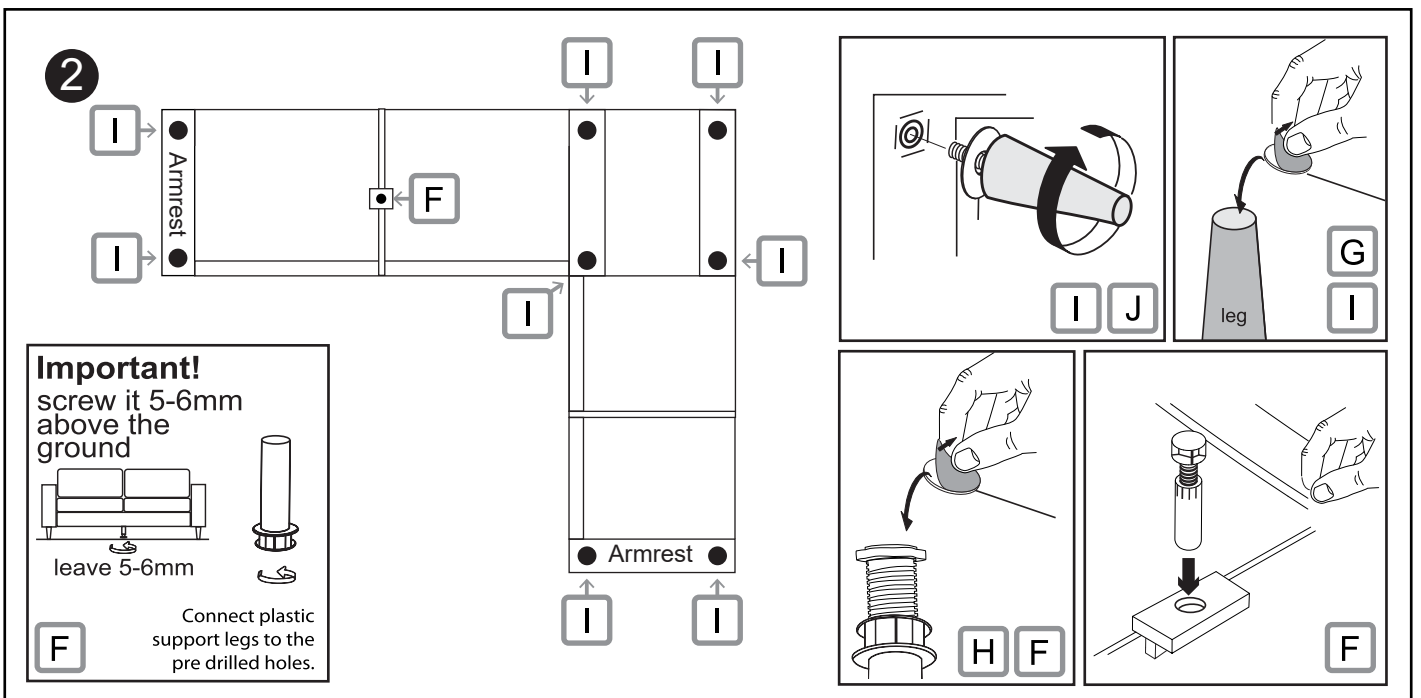
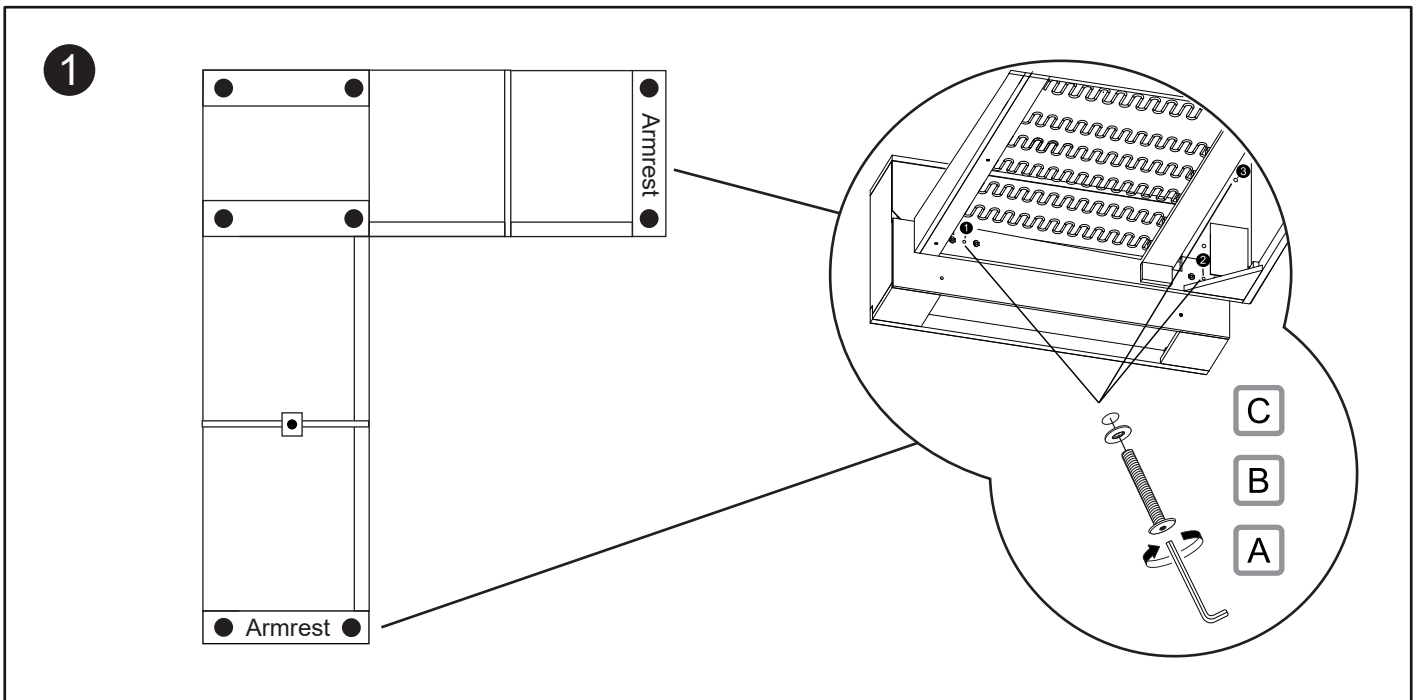
Place your product on a soft surface when mounting

Bohus

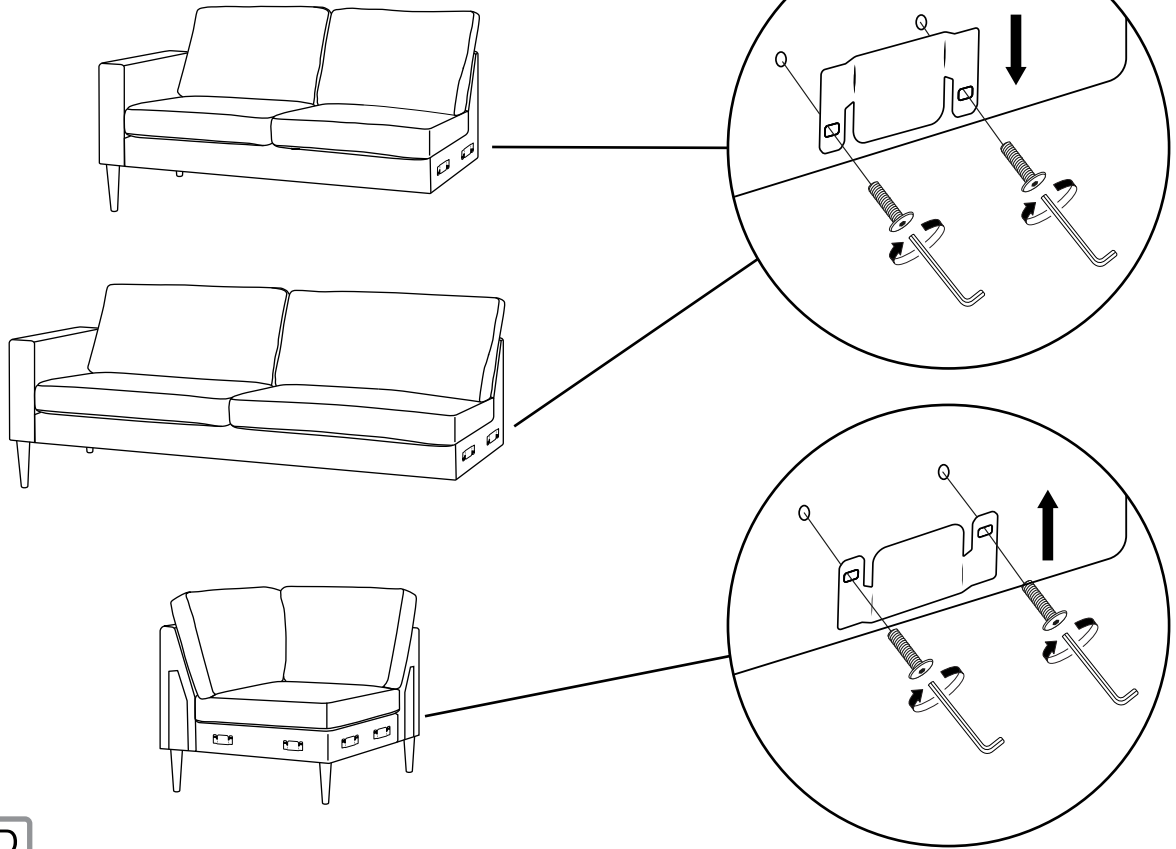
Components / Fittings



Assembling Instructions



3



A E D

4

